

S3-D40

**S3 Vibration Sensor**

**\$1,250.00**

Polycarbonate  
 Digital Capacitive Accelerometer: ± 40g  
 Battery: 250 mAh  
 Storage: 2 GB



**S3-D40**

The S3-D40 is a vibration recorder with additional environmental sensors. This model's low cost makes it ideal for general purpose vibration testing.

[Demo with an Engineer](#)  
[Visit our Help Center](#)  
[Contact Customer Success](#)

**Product Features**

- Convenient**

  - Standalone measurement system with sensors, storage & rechargeable battery
  - Handheld form factor
  - Setup in minutes over USB interface
- Adaptable**

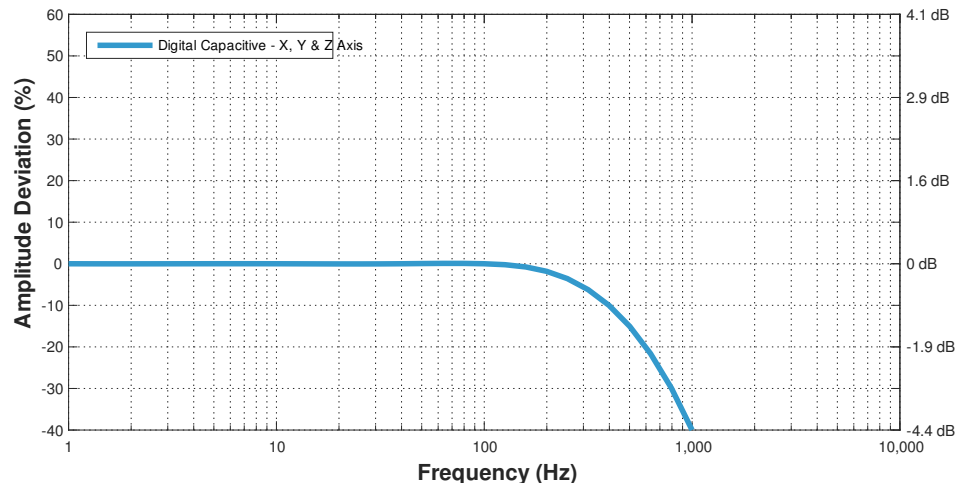
  - Multiple accelerometers for dynamic range
  - Many additional embedded sensors into single system
  - User-programmable wake-up conditions and sample rates
- Reliable**

  - Trusted in harsh environments by over 2,000 customers & the US Navy
  - Calibrated with NIST Traceable Accelerometer
  - Storage capacity for billions of data points

**Accelerometer Specifications**

Accelerometer Type	Range	Sampling Rate	Bandwidth	Noise	Resolution
Digital Capacitive	± 40g	4,000 Hz	0 to 300 Hz	< 0.01 gRMS	0.00008 g

## Frequency Response Plot



## Additional Sensor Specifications

Sensor	Measurement Range	Resolution	Sampling Rate
Gyroscope	2000°/s	0.06 °/s	0 (off) to 200 Hz
Magnetometer	± 1300 µT	0.3 µT	0 (off) to 10 Hz
Temperature	-40 to 85 °C	0.01 °C	0 (off) to 10 Hz
Pressure	1 to 200 kPa	1.6 Pa	0 (off) to 10 Hz
Humidity	0 to 100 %RH	0.04% RH	0 (off) to 10 Hz
Light	0 to > 20 µV	<100 mlx	0 (off) to 4 Hz

## Environmental Specifications

Parameter	Range	Notes
Operating Temperature	-10°C to 80°C (14°F to 176°F)	
Recommended Storage Temperature	15°C to 30°C (59°F to 86°F)	Recharging Temperature 0°C to 45°C (32°F to 113°F)
Humidity	0 to 95 %RH	Non-Condensing
Pressure	20 kPa to 110 kPa (2.9 psi to 16.0 psi)	Absolute Pressure
Shock Limit	>3,000 g	<a href="#">Refer to Shock Report (PDF)</a>
No Electric Field Susceptibility	2 MHz to 18 GHz @ 200 V/m	<a href="#">Refer to EMI Test Report (PDF)</a>
No Magnetic Field Susceptibility	30 Hz to 100 kHz	<a href="#">Refer to EMI Test Report (PDF)</a>

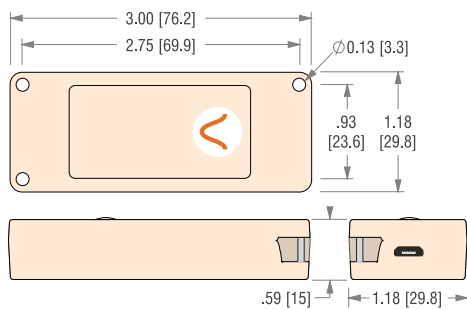
## Battery & Storage Performance

Battery performance is heavily dependent upon the device configuration (sensor sample rates and triggers), battery age (including charging cycles), and temperature. The following table provides the battery life and storage capacity

of this device assuming it has a relatively new battery and it is at room temperature. When showing performance it assumes all sensors are on at the default sample rate with the main accelerometer sample rate driving performance. With triggers, it assumes the device is in trigger mode 99% of the time. Here are some additional resources: [Measurement Settings](#), [Battery Specifications](#), [Battery Life Estimator Tool](#).

Sample Rate	Storage Capacity	Continuous Recording	Main Accel. Trigger	2nd Accel. Trigger	Periodic/Time Trigger
50 Hz	8 days	17 hours	53 hours		64 days
200 Hz	5 days	17 hours	53 hours		64 days
800 Hz	45 hours	16 hours	53 hours		60 days
4,000 Hz	13 hours	13 hours	52 hours		52 days

### Dimensions



### Mechanical Specifications

Mass	40 grams
Case Material	Polycarbonate
Mounting - Screw	4-40 Bolts (70 in-oz)
Mounting - Tape (Double Sided)	3M 950 Tape
Length	76.2 mm (3.00")
Width	29.8 mm (1.18")
Thickness	15.0 mm (0.59")
Ingress Protection	IP 50 (Dust Protected)

### Free Software Features

- **Free Standalone Software Packages** [Lab](#) - Configuration, Quick Snapshot, Batch File Conversion [Analyzer](#) - Analysis of enDAQ Sensor Data in MATLAB
- **Configure Sensors for Measurement**
- **Export/Convert Data to CSV or MATLAB**
- **Analysis** FFT PSD Spectrogram Digital Filtering

